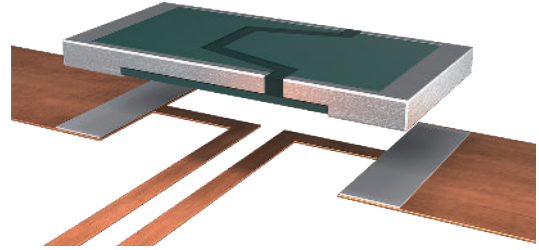


25006/VMS (2512)

ISA-PLAN® PRECISION RESISTOR



FEATURES

- Constant current up to 20 A (5 mOhm)
- 2 W power rating at 70 °C
- Two-terminal configuration
- Excellent temperature behavior
- Excellent heat dissipation
- High application temperature range -65 to +170 °C
- SnPb plated terminals

APPLICATIONS

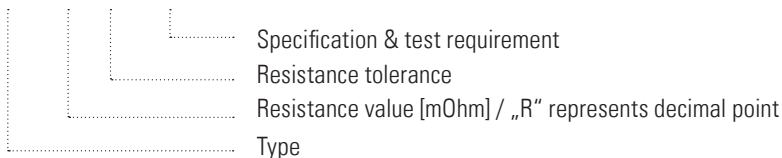
- Industrial Grade / Engineering Models (Test Code A)
- Military Grade (Test Code B)
- Space Level (Test Code T)

Technical data

Resistance values	mOhm	5 to 1000		
Tolerance	%	0.5 / 1		
Temperature coefficient	ppm/K	-55°C to +25°C	+25°C to +125°C	-55°C to +125°C
		±60	±35	±50
Applicable temperature range	°C	-65 to +170		
Power rating P_{70°C}	W	2		
Stability (at rated power) deviation after 1000h, T_K = Terminal temperature	%	< 0.5 ($T_K=70^\circ\text{C}$)		

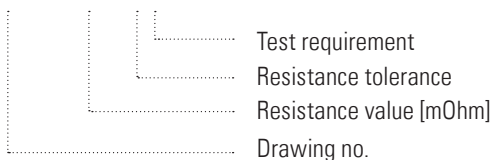
Ordering code Isabellenhütte

VMS - 1R00 - 0.5 - MB



DLA Part or Identifying Number (PIN)

25006 - ***** DB



Recommended solder profile

Reflow-, IR-soldering

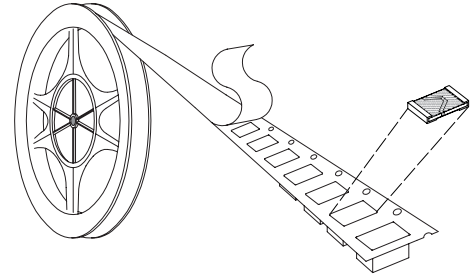
Temperature	°C	260	255	217
Time	sec	peak	40	90

Tape and reel information

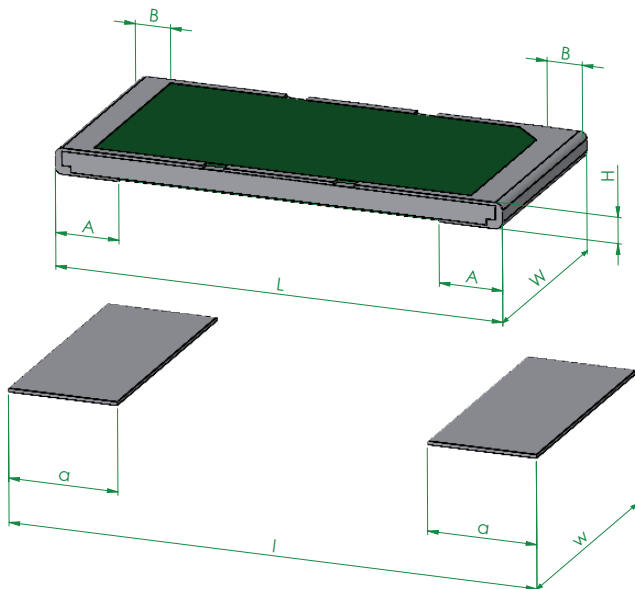
Specification	DIN EN 60286-3		
Tape width	mm	12	
Reel size	inch	13	

Form of delivery

Cut tape	pcs	up to 500
Tape and reel	pcs	>500



Mechanical dimensions and pcb-layout proposal (reflow-soldering) [mm]



Type	L	W	H	A	B
VMS-Mx	6.35 ± 0.3	3.05 ± 0.2	0.4 ± 0.15	0.9 ± 0.2	0.5 ± 0.2

Solder pad type	l	w	a
VMS-Mx	7.5	3.6	1.55

Available standard resistance values and tolerances. Further values on request.

Version	DLA drawing no.	Test code	Test requirements acc. to MIL-PRF 32773
Industrial Grade	25006	A	Group A inspection (M Level)
Military Grade		B	Group A & Group B inspection (T Level)
Space Level		T	Group A & Group B inspection (T Level) + Life Test (1000 hrs) acc. to para 4.5 of the DLA drawing

Ordering code	PIN	Ordering code	PIN
VMS-R005-0.5-MA	25006-OR005DA	VMS-R022-1.0-MT	25006-OR022FT
VMS-R005-0.5-MB	25006-OR005DB	VMS-R025-0.5-MA	25006-OR025DA
VMS-R005-0.5-MT	25006-OR005DT	VMS-R025-0.5-MB	25006-OR025DB
VMS-R005-1.0-MA	25006-OR005FA	VMS-R025-0.5-MT	25006-OR025DT
VMS-R005-1.0-MB	25006-OR005FB	VMS-R025-1.0-MA	25006-OR025FA
VMS-R005-1.0-MT	25006-OR005FT	VMS-R025-1.0-MB	25006-OR025FB
VMS-R0068-0.5-MA	25006-R0068DA	VMS-R025-1.0-MT	25006-OR025FT
VMS-R0068-0.5-MB	25006-R0068DB	VMS-R027-0.5-MA	25006-OR027DA
VMS-R0068-0.5-MT	25006-R0068DT	VMS-R027-0.5-MB	25006-OR027DB
VMS-R0068-1.0-MA	25006-R0068FA	VMS-R027-0.5-MT	25006-OR027DT
VMS-R0068-1.0-MB	25006-R0068FB	VMS-R027-1.0-MA	25006-OR027FA
VMS-R0068-1.0-MT	25006-R0068FT	VMS-R027-1.0-MB	25006-OR027FB
VMS-R010-0.5-MA	25006-OR010DA	VMS-R027-1.0-MT	25006-OR027FT
VMS-R010-0.5-MB	25006-OR010DB	VMS-R030-0.5-MA	25006-OR030DA
VMS-R010-0.5-MT	25006-OR010DT	VMS-R030-0.5-MB	25006-OR030DB
VMS-R010-1.0-MA	25006-OR010FA	VMS-R030-0.5-MT	25006-OR030DT
VMS-R010-1.0-MB	25006-OR010FB	VMS-R030-1.0-MA	25006-OR030FA
VMS-R010-1.0-MT	25006-OR010FT	VMS-R030-1.0-MB	25006-OR030FB
VMS-R012-0.5-MA	25006-OR012DA	VMS-R030-1.0-MT	25006-OR030FT
VMS-R012-0.5-MB	25006-OR012DB	VMS-R033-0.5-MA	25006-OR033DA
VMS-R012-0.5-MT	25006-OR012DT	VMS-R033-0.5-MB	25006-OR033DB
VMS-R012-1.0-MA	25006-OR012FA	VMS-R033-0.5-MT	25006-OR033DT
VMS-R012-1.0-MB	25006-OR012FB	VMS-R033-1.0-MA	25006-OR033FA
VMS-R012-1.0-MT	25006-OR012FT	VMS-R033-1.0-MB	25006-OR033FB
VMS-R015-0.5-MA	25006-OR015DA	VMS-R033-1.0-MT	25006-OR033FT
VMS-R015-0.5-MB	25006-OR015DB	VMS-R039-0.5-MA	25006-OR039DA
VMS-R015-0.5-MT	25006-OR015DT	VMS-R039-0.5-MB	25006-OR039DB
VMS-R015-1.0-MA	25006-OR015FA	VMS-R039-0.5-MT	25006-OR039DT
VMS-R015-1.0-MB	25006-OR015FB	VMS-R039-1.0-MA	25006-OR039FA
VMS-R015-1.0-MT	25006-OR015FT	VMS-R039-1.0-MB	25006-OR039FB
VMS-R020-0.5-MA	25006-OR020DA	VMS-R039-1.0-MT	25006-OR039FT
VMS-R020-0.5-MB	25006-OR020DB	VMS-R040-0.5-MA	25006-OR040DA
VMS-R020-0.5-MT	25006-OR020DT	VMS-R040-0.5-MB	25006-OR040DB
VMS-R020-1.0-MA	25006-OR020FA	VMS-R040-0.5-MT	25006-OR040DT
VMS-R020-1.0-MB	25006-OR020FB	VMS-R040-1.0-MA	25006-OR040FA
VMS-R020-1.0-MT	25006-OR020FT	VMS-R040-1.0-MB	25006-OR040FB
VMS-R022-0.5-MA	25006-OR022DA	VMS-R040-1.0-MT	25006-OR040FT
VMS-R022-0.5-MB	25006-OR022DB	VMS-R047-0.5-MA	25006-OR047DA
VMS-R022-0.5-MT	25006-OR022DT	VMS-R047-0.5-MB	25006-OR047DB
VMS-R022-1.0-MA	25006-OR022FA	VMS-R047-0.5-MT	25006-OR047DT
VMS-R022-1.0-MB	25006-OR022FB	VMS-R047-1.0-MA	25006-OR047FA

Available standard resistance values and tolerances. Further values on request.

Ordering code	PIN	Ordering code	PIN
VMS-R047-1.0-MB	25006-OR047FB	VMS-R200-0.5-MA	25006-OR200DA
VMS-R047-1.0-MT	25006-OR047FT	VMS-R200-0.5-MB	25006-OR200DB
VMS-R050-0.5-MA	25006-OR050DA	VMS-R200-0.5-MT	25006-OR200DT
VMS-R050-0.5-MB	25006-OR050DB	VMS-R200-1.0-MA	25006-OR200FA
VMS-R050-0.5-MT	25006-OR050DT	VMS-R200-1.0-MB	25006-OR200FB
VMS-R050-1.0-MA	25006-OR050FA	VMS-R200-1.0-MT	25006-OR200FT
VMS-R050-1.0-MB	25006-OR050FB	VMS-R220-0.5-MA	25006-OR220DA
VMS-R050-1.0-MT	25006-OR050FT	VMS-R220-0.5-MB	25006-OR220DB
VMS-R056-0.5-MA	25006-OR056DA	VMS-R220-0.5-MT	25006-OR220DT
VMS-R056-0.5-MB	25006-OR056DB	VMS-R220-1.0-MA	25006-OR220FA
VMS-R056-0.5-MT	25006-OR056DT	VMS-R220-1.0-MB	25006-OR220FB
VMS-R056-1.0-MA	25006-OR056FA	VMS-R220-1.0-MT	25006-OR220FT
VMS-R056-1.0-MB	25006-OR056FB	VMS-R240-0.5-MA	25006-OR240DA
VMS-R056-1.0-MT	25006-OR056FT	VMS-R240-0.5-MB	25006-OR240DB
VMS-R068-0.5-MA	25006-OR068DA	VMS-R240-0.5-MT	25006-OR240DT
VMS-R068-0.5-MB	25006-OR068DB	VMS-R240-1.0-MA	25006-OR240FA
VMS-R068-0.5-MT	25006-OR068DT	VMS-R240-1.0-MB	25006-OR240FB
VMS-R068-1.0-MA	25006-OR068FA	VMS-R240-1.0-MT	25006-OR240FT
VMS-R068-1.0-MB	25006-OR068FB	VMS-R270-0.5-MA	25006-OR270DA
VMS-R068-1.0-MT	25006-OR068FT	VMS-R270-0.5-MB	25006-OR270DB
VMS-R082-0.5-MA	25006-OR082DA	VMS-R270-0.5-MT	25006-OR270DT
VMS-R082-0.5-MB	25006-OR082DB	VMS-R270-1.0-MA	25006-OR270FA
VMS-R082-0.5-MT	25006-OR082DT	VMS-R270-1.0-MB	25006-OR270FB
VMS-R082-1.0-MA	25006-OR082FA	VMS-R270-1.0-MT	25006-OR270FT
VMS-R082-1.0-MB	25006-OR082FB	VMS-R300-0.5-MA	25006-OR300DA
VMS-R082-1.0-MT	25006-OR082FT	VMS-R300-0.5-MB	25006-OR300DB
VMS-R100-0.5-MA	25006-OR100DA	VMS-R300-0.5-MT	25006-OR300DT
VMS-R100-0.5-MB	25006-OR100DB	VMS-R300-1.0-MA	25006-OR300FA
VMS-R100-0.5-MT	25006-OR100DT	VMS-R300-1.0-MB	25006-OR300FB
VMS-R100-1.0-MA	25006-OR100FA	VMS-R300-1.0-MT	25006-OR300FT
VMS-R100-1.0-MB	25006-OR100FB	VMS-R330-0.5-MA	25006-OR330DA
VMS-R100-1.0-MT	25006-OR100FT	VMS-R330-0.5-MB	25006-OR330DB
VMS-R120-0.5-MA	25006-OR120DA	VMS-R330-0.5-MT	25006-OR330DT
VMS-R120-0.5-MB	25006-OR120DB	VMS-R330-1.0-MA	25006-OR330FA
VMS-R120-0.5-MT	25006-OR120DT	VMS-R330-1.0-MB	25006-OR330FB
VMS-R120-1.0-MA	25006-OR120FA	VMS-R330-1.0-MT	25006-OR330FT
VMS-R120-1.0-MB	25006-OR120FB	VMS-R470-0.5-MA	25006-OR470DA
VMS-R120-1.0-MT	25006-OR120FT	VMS-R470-0.5-MB	25006-OR470DB
VMS-R150-0.5-MA	25006-OR150DA	VMS-R470-0.5-MT	25006-OR470DT
VMS-R150-0.5-MB	25006-OR150DB	VMS-R470-1.0-MA	25006-OR470FA
VMS-R150-0.5-MT	25006-OR150DT	VMS-R470-1.0-MB	25006-OR470FB
VMS-R150-1.0-MA	25006-OR150FA	VMS-R470-1.0-MT	25006-OR470FT
VMS-R150-1.0-MB	25006-OR150FB	VMS-R500-0.5-MA	25006-OR500DA
VMS-R150-1.0-MT	25006-OR150FT	VMS-R500-0.5-MB	25006-OR500DB
VMS-R180-0.5-MA	25006-OR180DA	VMS-R500-0.5-MT	25006-OR500DT
VMS-R180-0.5-MB	25006-OR180DB	VMS-R500-1.0-MA	25006-OR500FA
VMS-R180-0.5-MT	25006-OR180DT	VMS-R500-1.0-MB	25006-OR500FB
VMS-R180-1.0-MA	25006-OR180FA	VMS-R500-1.0-MT	25006-OR500FT
VMS-R180-1.0-MB	25006-OR180FB	VMS-R680-0.5-MA	25006-OR680DA
VMS-R180-1.0-MT	25006-OR180FT	VMS-R680-0.5-MB	25006-OR680DB

Available standard resistance values and tolerances. Further values on request.

Ordering code	PIN
VMS-R680-0.5-MT	25006-0R680DT
VMS-R680-1.0-MA	25006-0R680FA
VMS-R680-1.0-MB	25006-0R680FB
VMS-R680-1.0-MT	25006-0R680FT
VMS-1R00-0.5-MA	25006-1R000DA
VMS-1R00-0.5-MB	25006-1R000DB
VMS-1R00-0.5-MT	25006-1R000DT
VMS-1R00-1.0-MA	25006-1R000FA
VMS-1R00-1.0-MB	25006-1R000FB
VMS-1R00-1.0-MT	25006-1R000FT

Disclaimer // All products, product specifications and data are subject to change without notice. The product specifications do not expand or otherwise modify Isabellenhütte's terms and conditions of sale, including but not limited to, the warranty expressed therein. Isabellenhütte makes no warranty, representation or guarantee other than as set forth in its terms and conditions of sale. Information provided in datasheets and/or specifications may vary from actual results in different applications. Any statements made by Isabellenhütte regarding the suitability of products for certain types of applications are based on its knowledge of typical requirements that are often placed on its products. It is the customer's responsibility to validate that a particular product with the properties described in the product specification is suitable for use in the application intended. No license, express or implied, or otherwise, to any intellectual property rights is granted by this document. Any and all liability arising out of the application or use of any product shall be as set forth in Isabellenhütte's terms and conditions of sale.

