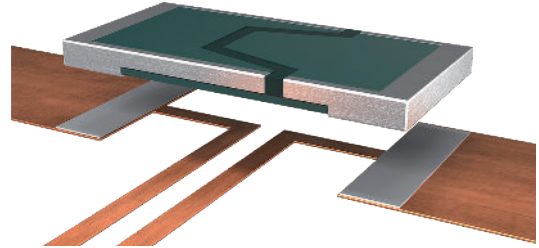




25004/VMK (1206)

ISA-PLAN® PRECISION RESISTOR



FEATURES

- Constant current up to 8.5 A (10 mOhm)
- 0.75 W power rating at 70 °C
- Two-terminal configuration
- Excellent temperature behavior
- Excellent heat dissipation
- High application temperature range -65 to +170 °C
- SnPb plated terminals

APPLICATIONS

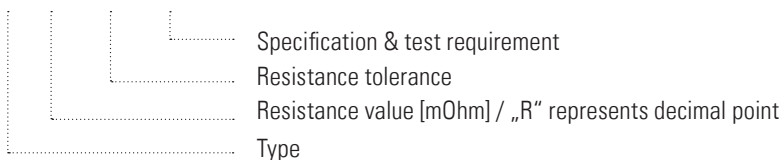
- Industrial Grade / Engineering Models (Test Code A)
- Military Grade (Test Code B)
- Space Level (Test Code T)

Technical data

Resistance values	mOhm	10 to 470		
Tolerance	%	0.5 / 1		
Temperature coefficient	ppm/K	-55°C to +25°C	+25°C to +125°C	-55°C to +125°C
		±60	±35	±50
Applicable temperature range	°C	-65 to +170		
Power rating P_{70°C}	W	0.75		
Stability (at rated power) deviation after 1000h, T _K = Terminal temperature	%	<0.5 (T _K =70°C)		

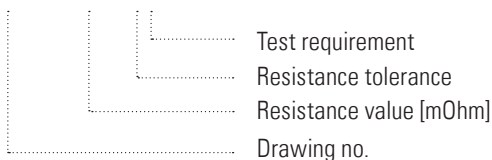
Ordering code Isabellenhütte

VMK - R010 - 1.0 - MB



DLA Part or Identifying Number (PIN)

25004 - ***** DB



Recommended solder profile

Reflow-, IR-soldering

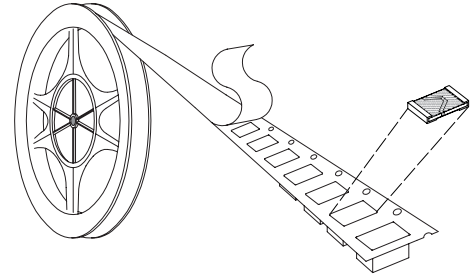
Temperature	°C	260	255	217
Time	sec	peak	40	90

Tape and reel information

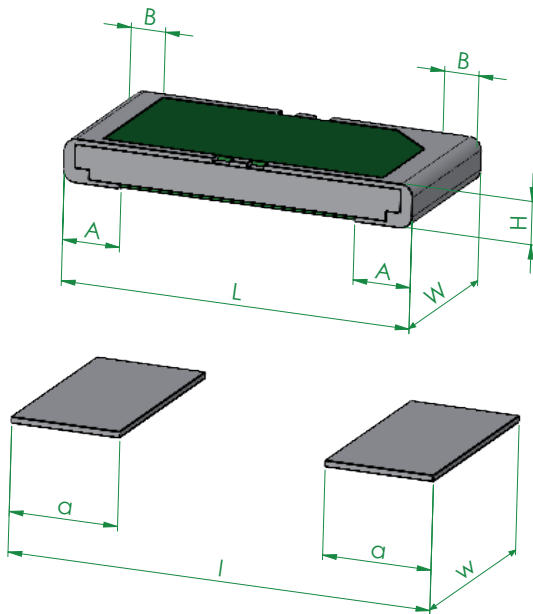
Specification	DIN EN 60286-3		
Tape width	mm	12	
Reel size	inch	13	

Form of delivery

Cut tape	pcs	up to 1,500
Tape and reel	pcs	>1,500



Mechanical dimensions and pcb-layout proposal (reflow-soldering) [mm]



Type	L	W	H	A	B
VMK-Mx	3.05±0.2	1.52±0.2	0.4±0.15	0.5±0.15	0.3±0.15

Solder pad type	l	w	a
VMK-Mx	3.7	1.9	0.95

Available standard resistance values and tolerances*

Version	DLA drawing no.	Test code	Test requirements acc. to MIL-PRF 32773
Industrial Grade	25004	A	Group A inspection (M Level)
Military Grade		B	Group A & Group B inspection (T Level)
Space Level		T	Group A & Group B inspection (T Level) + Life Test (1000 hrs) acc. to para 4.5 of the DLA drawing

Ordering code	PIN	Ordering code	PIN
VMK-R010-0.5-MA	25004-OR010DA	VMK-R027-1.0-MA	25004-OR027FA
VMK-R010-0.5-MB	25004-OR010DB	VMK-R027-1.0-MB	25004-OR027FB
VMK-R010-0.5-MT	25004-OR010DT	VMK-R027-1.0-MT	25004-OR027FT
VMK-R010-1.0-MA	25004-OR010FA	VMK-R030-0.5-MA	25004-OR030DA
VMK-R010-1.0-MB	25004-OR010FB	VMK-R030-0.5-MB	25004-OR030DB
VMK-R010-1.0-MT	25004-OR010FT	VMK-R030-0.5-MT	25004-OR030DT
VMK-R012-0.5-MA	25004-OR012DA	VMK-R030-1.0-MA	25004-OR030FA
VMK-R012-0.5-MB	25004-OR012DB	VMK-R030-1.0-MB	25004-OR030FB
VMK-R012-0.5-MT	25004-OR012DT	VMK-R030-1.0-MT	25004-OR030FT
VMK-R012-1.0-MA	25004-OR012FA	VMK-R033-0.5-MA	25004-OR033DA
VMK-R012-1.0-MB	25004-OR012FB	VMK-R033-0.5-MB	25004-OR033DB
VMK-R012-1.0-MT	25004-OR012FT	VMK-R033-0.5-MT	25004-OR033DT
VMK-R015-0.5-MA	25004-OR015DA	VMK-R033-1.0-MA	25004-OR033FA
VMK-R015-0.5-MB	25004-OR015DB	VMK-R033-1.0-MB	25004-OR033FB
VMK-R015-0.5-MT	25004-OR015DT	VMK-R033-1.0-MT	25004-OR033FT
VMK-R015-1.0-MA	25004-OR015FA	VMK-R039-0.5-MA	25004-OR039DA
VMK-R015-1.0-MB	25004-OR015FB	VMK-R039-0.5-MB	25004-OR039DB
VMK-R015-1.0-MT	25004-OR015FT	VMK-R039-0.5-MT	25004-OR039DT
VMK-R020-0.5-MA	25004-OR020DA	VMK-R039-1.0-MA	25004-OR039FA
VMK-R020-0.5-MB	25004-OR020DB	VMK-R039-1.0-MB	25004-OR039FB
VMK-R020-0.5-MT	25004-OR020DT	VMK-R039-1.0-MT	25004-OR039FT
VMK-R020-1.0-MA	25004-OR020FA	VMK-R047-0.5-MA	25004-OR047DA
VMK-R020-1.0-MB	25004-OR020FB	VMK-R047-0.5-MB	25004-OR047DB
VMK-R020-1.0-MT	25004-OR020FT	VMK-R047-0.5-MT	25004-OR047DT
VMK-R022-0.5-MA	25004-OR022DA	VMK-R047-1.0-MA	25004-OR047FA
VMK-R022-0.5-MB	25004-OR022DB	VMK-R047-1.0-MB	25004-OR047FB
VMK-R022-0.5-MT	25004-OR022DT	VMK-R047-1.0-MT	25004-OR047FT
VMK-R022-1.0-MA	25004-OR022FA	VMK-R050-0.5-MA	25004-OR050DA
VMK-R022-1.0-MB	25004-OR022FB	VMK-R050-0.5-MB	25004-OR050DB
VMK-R022-1.0-MT	25004-OR022FT	VMK-R050-0.5-MT	25004-OR050DT
VMK-R025-0.5-MA	25004-OR025DA	VMK-R050-1.0-MA	25004-OR050FA
VMK-R025-0.5-MB	25004-OR025DB	VMK-R050-1.0-MB	25004-OR050FB
VMK-R025-0.5-MT	25004-OR025DT	VMK-R050-1.0-MT	25004-OR050FT
VMK-R025-1.0-MA	25004-OR025FA	VMK-R062-0.5-MA	25004-OR062DA
VMK-R025-1.0-MB	25004-OR025FB	VMK-R062-0.5-MB	25004-OR062DB
VMK-R025-1.0-MT	25004-OR025FT	VMK-R062-0.5-MT	25004-OR062DT
VMK-R027-0.5-MA	25004-OR027DA	VMK-R062-1.0-MA	25004-OR062FA
VMK-R027-0.5-MB	25004-OR027DB	VMK-R062-1.0-MB	25004-OR062FB
VMK-R027-0.5-MT	25004-OR027DT	VMK-R062-1.0-MT	25004-OR062FT

Available standard resistance values and tolerances*

Ordering code	PIN	Ordering code	PIN
VMK-R068-0.5-MA	25004-OR068DA	VMK-R200-0.5-MB	25004-OR200DB
VMK-R068-0.5-MB	25004-OR068DB	VMK-R200-0.5-MT	25004-OR200DT
VMK-R068-0.5-MT	25004-OR068DT	VMK-R200-1.0-MA	25004-OR200FA
VMK-R068-1.0-MA	25004-OR068FA	VMK-R200-1.0-MB	25004-OR200FB
VMK-R068-1.0-MB	25004-OR068FB	VMK-R200-1.0-MT	25004-OR200FT
VMK-R068-1.0-MT	25004-OR068FT	VMK-R220-0.5-MA	25004-OR220DA
VMK-R100-0.5-MA	25004-OR100DA	VMK-R220-0.5-MB	25004-OR220DB
VMK-R100-0.5-MB	25004-OR100DB	VMK-R220-0.5-MT	25004-OR220DT
VMK-R100-0.5-MT	25004-OR100DT	VMK-R220-1.0-MA	25004-OR220FA
VMK-R100-1.0-MA	25004-OR100FA	VMK-R220-1.0-MB	25004-OR220FB
VMK-R100-1.0-MB	25004-OR100FB	VMK-R220-1.0-MT	25004-OR220FT
VMK-R100-1.0-MT	25004-OR100FT	VMK-R300-0.5-MA	25004-OR300DA
VMK-R120-0.5-MA	25004-OR120DA	VMK-R300-0.5-MB	25004-OR300DB
VMK-R120-0.5-MB	25004-OR120DB	VMK-R300-0.5-MT	25004-OR300DT
VMK-R120-0.5-MT	25004-OR120DT	VMK-R300-1.0-MA	25004-OR300FA
VMK-R120-1.0-MA	25004-OR120FA	VMK-R300-1.0-MB	25004-OR300FB
VMK-R120-1.0-MB	25004-OR120FB	VMK-R300-1.0-MT	25004-OR300FT
VMK-R120-1.0-MT	25004-OR120FT	VMK-R330-0.5-MA	25004-OR330DA
VMK-R140-0.5-MA	25004-OR140DA	VMK-R330-0.5-MB	25004-OR330DB
VMK-R140-0.5-MB	25004-OR140DB	VMK-R330-0.5-MT	25004-OR330DT
VMK-R140-0.5-MT	25004-OR140DT	VMK-R330-1.0-MA	25004-OR330FA
VMK-R140-1.0-MA	25004-OR140FA	VMK-R330-1.0-MB	25004-OR330FB
VMK-R140-1.0-MB	25004-OR140FB	VMK-R330-1.0-MT	25004-OR330FT
VMK-R140-1.0-MT	25004-OR140FT	VMK-R360-0.5-MA	25004-OR360DA
VMK-R150-0.5-MA	25004-OR150DA	VMK-R360-0.5-MB	25004-OR360DB
VMK-R150-0.5-MB	25004-OR150DB	VMK-R360-0.5-MT	25004-OR360DT
VMK-R150-0.5-MT	25004-OR150DT	VMK-R360-1.0-MA	25004-OR360FA
VMK-R150-1.0-MA	25004-OR150FA	VMK-R360-1.0-MB	25004-OR360FB
VMK-R150-1.0-MB	25004-OR150FB	VMK-R360-1.0-MT	25004-OR360FT
VMK-R150-1.0-MT	25004-OR150FT	VMK-R470-0.5-MA	25004-OR470DA
VMK-R180-0.5-MA	25004-OR180DA	VMK-R470-0.5-MB	25004-OR470DB
VMK-R180-0.5-MB	25004-OR180DB	VMK-R470-0.5-MT	25004-OR470DT
VMK-R180-0.5-MT	25004-OR180DT	VMK-R470-1.0-MA	25004-OR470FA
VMK-R180-1.0-MA	25004-OR180FA	VMK-R470-1.0-MB	25004-OR470FB
VMK-R180-1.0-MB	25004-OR180FB	VMK-R470-1.0-MT	25004-OR470FT
VMK-R180-1.0-MT	25004-OR180FT		
VMK-R200-0.5-MA	25004-OR200DA		

* Further values on request

Disclaimer // All products, product specifications and data are subject to change without notice. The product specifications do not expand or otherwise modify Isabellenhütte's terms and conditions of sale, including but not limited to, the warranty expressed therein. Isabellenhütte makes no warranty, representation or guarantee other than as set forth in its terms and conditions of sale. Information provided in datasheets and/or specifications may vary from actual results in different applications. Any statements made by Isabellenhütte regarding the suitability of products for certain types of applications are based on its knowledge of typical requirements that are often placed on its products. It is the customer's responsibility to validate that a particular product with the properties described in the product specification is suitable for use in the application intended. No license, express or implied, or otherwise, to any intellectual property rights is granted by this document. Any and all liability arising out of the application or use of any product shall be as set forth in Isabellenhütte's terms and conditions of sale.

