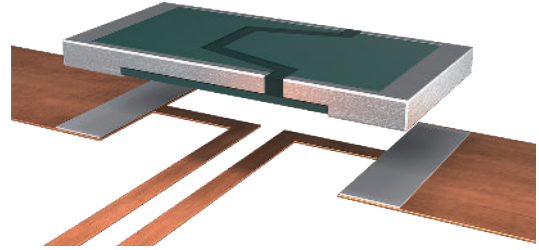




## 25003/VMI (0805)

### ISA-PLAN® PRECISION RESISTOR



#### FEATURES

- Constant current up to 7 A (10 mOhm)
- 0.5 W power rating at 70 °C
- Two-terminal configuration
- Excellent temperature behavior
- Excellent heat dissipation
- High application temperature range -65 to +170 °C
- SnPb plated terminals

#### APPLICATIONS

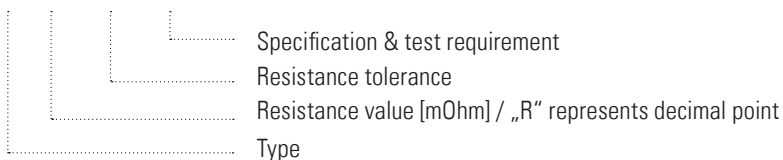
- Industrial Grade / Engineering Models (Test Code A)
- Military Grade (Test Code B)
- Space Level (Test Code T)

#### Technical data

Resistance values	<b>mOhm</b>	10 to 100		
Tolerance	<b>%</b>	1		
Temperature coefficient	<b>ppm/K</b>	-55°C to +25°C	+25°C to +125°C	-55°C to +125°C
		±120	±75	±60
Applicable temperature range	<b>°C</b>	-65 to +170		
Power rating <b>P<sub>70°C</sub></b>	<b>W</b>	0.5		
Stability (at rated power) deviation after 1000h, $T_K$ = Terminal temperature	<b>%</b>	< 0.5 ( $T_K=70^\circ\text{C}$ )		

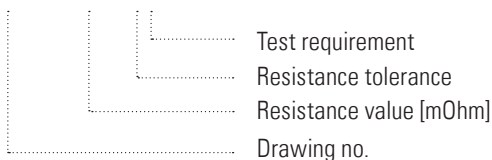
#### Ordering code Isabellenhütte

VMI - R010 - 1.0 - MA



#### DLA Part or Identifying Number (PIN)

25003 - \*\*\*\*\* FA



**Recommended solder profile**

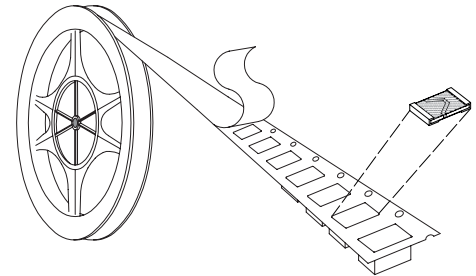
Reflow-, IR-soldering				
Temperature	°C	260	255	217
Time	sec	peak	40	90

**Tape and reel information**

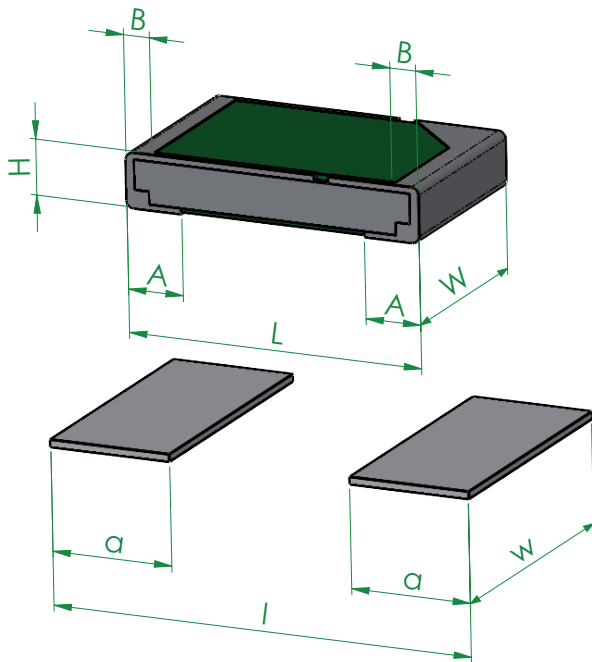
Specification	DIN EN 60286-3			
Tape width	mm	12		
Reel size	inch	13		

**Form of delivery**

Cut tape	pcs	up to 1,500		
Tape and reel	pcs	>1,500		



**Mechanical dimensions and pcb-layout proposal (reflow-soldering) [mm]**



Type	L	W	H	A	B
VMI-Mx	2.03 ± 0.15	1.27 ± 0.15	0.4 ± 0.15	0.38 ± 0.21	0.18 + 0.15/-0.1

Solder pad type	l	w	a
VMI-Mx	2.9	1.8	0.82

**Available standard resistance values and tolerances\***

Version	DLA drawing no.	Test code	Test requirements acc. to MIL-PRF 32773
Industrial Grade	25003	A	Group A inspection (M Level)
Military Grade		B	Group A & Group B inspection (T Level)
Space Level		T	Group A & Group B inspection (T Level) + Life Test (1000 hrs) acc. to para 4.5 of the DLA drawing

Ordering code	PIN
VMI-R010-1.0-MA	25003-OR010FA
VMI-R010-1.0-MB	25003-OR010FB
VMI-R010-1.0-MT	25003-OR010FT
VMI-R012-1.0-MA	25003-OR012FA
VMI-R012-1.0-MB	25003-OR012FB
VMI-R012-1.0-MT	25003-OR012FT
VMI-R020-1.0-MA	25003-OR020FA
VMI-R020-1.0-MB	25003-OR020FB
VMI-R020-1.0-MT	25003-OR020FT
VMI-R033-1.0-MA	25003-OR033FA
VMI-R033-1.0-MB	25003-OR033FB
VMI-R033-1.0-MT	25003-OR033FT
VMI-R050-1.0-MA	25003-OR050FA
VMI-R050-1.0-MB	25003-OR050FB
VMI-R050-1.0-MT	25003-OR050FT
VMI-R075-1.0-MA	25003-OR075FA
VMI-R075-1.0-MB	25003-OR075FB
VMI-R075-1.0-MT	25003-OR075FT
VMI-R100-1.0-MA	25003-OR100FA
VMI-R100-1.0-MB	25003-OR100FB
VMI-R100-1.0-MT	25003-OR100FT

\* Further values on request

**Disclaimer** // All products, product specifications and data are subject to change without notice. The product specifications do not expand or otherwise modify Isabellenhütte's terms and conditions of sale, including but not limited to, the warranty expressed therein. Isabellenhütte makes no warranty, representation or guarantee other than as set forth in its terms and conditions of sale. Information provided in datasheets and/or specifications may vary from actual results in different applications. Any statements made by Isabellenhütte regarding the suitability of products for certain types of applications are based on its knowledge of typical requirements that are often placed on its products. It is the customer's responsibility to validate that a particular product with the properties described in the product specification is suitable for use in the application intended. No license, express or implied, or otherwise, to any intellectual property rights is granted by this document. Any and all liability arising out of the application or use of any product shall be as set forth in Isabellenhütte's terms and conditions of sale.

